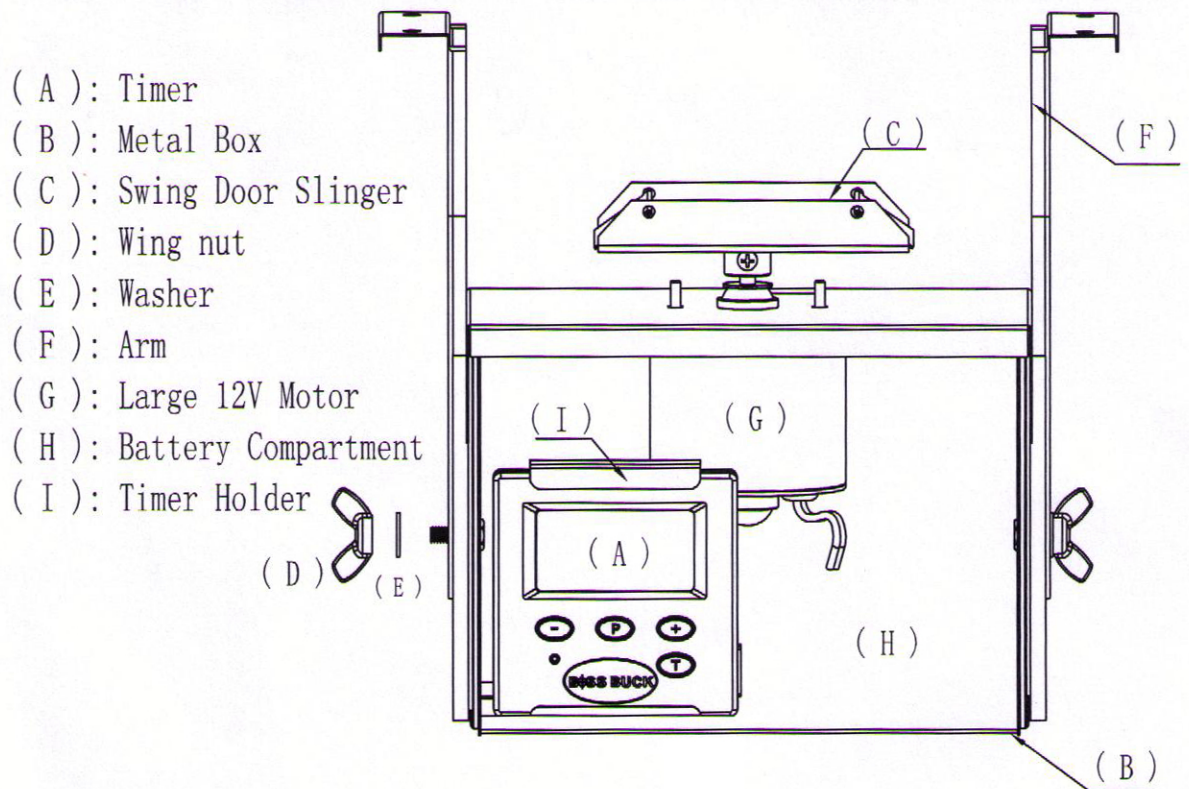


## Instructions For (1.16) Large 12V Control Box



step 1 : Stand drum upside down with the center hole, or funnel nozzle facing up.

step 2 : Place the Control Box upside down with the Swing Door Slinger centered over the nozzle.

step 3 : Mark the four holes located on the Arms with a marker pen. Remove the control box from the drum.

step 4 : Using an 1/8" drill bit , drill the four pilot holes marked with the pen.

step 5 : Place the Control Box back on the drum. Insert the four self tapping screws included inside the Control Box.

step 6 : loosen the wing nuts attached to the arms. Adjust the height so the slinger is just above the nozzle.

step 7 : Tighten wing nuts to hold proper position. Re-adjust later with corn in the feeder to achieve desired feed flow.

step 8 : Set RPM's on timer to high , medium , or low to tune the broadcast of feed to your feeding area.